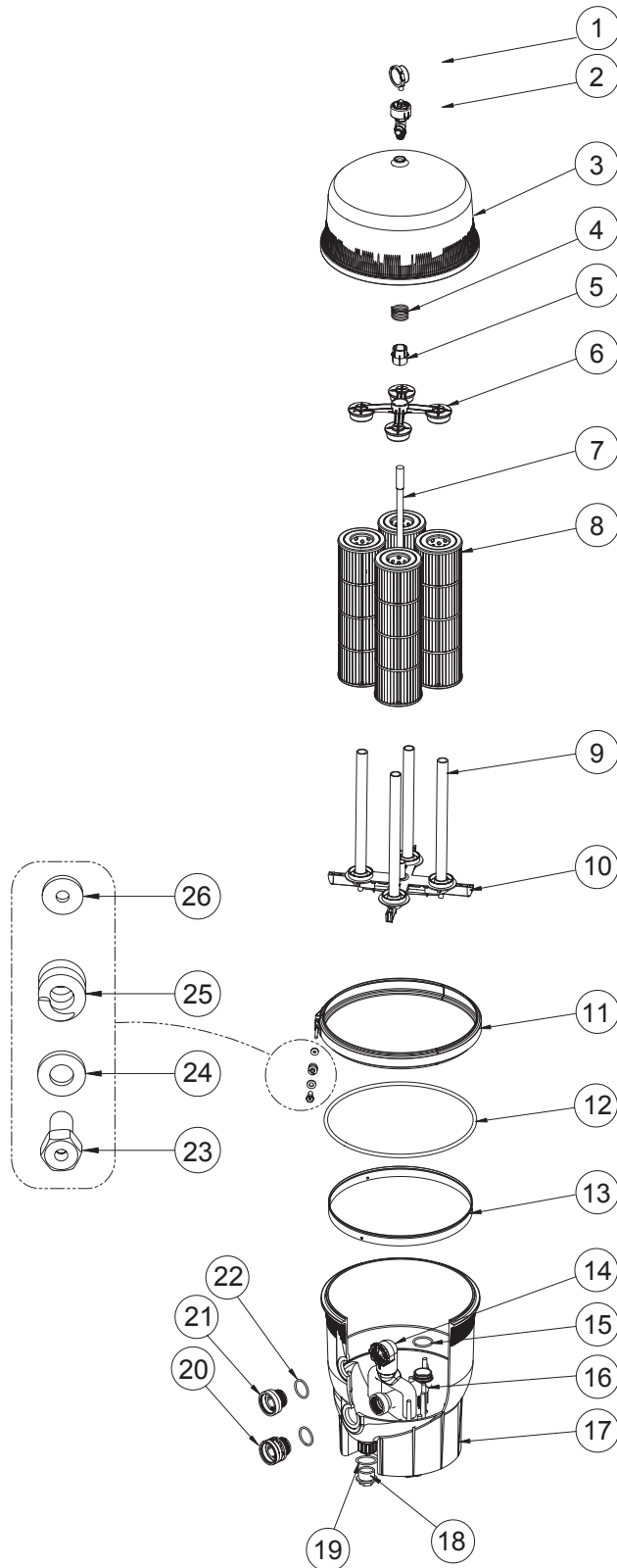


# QUAD D.E.



# QUAD D.E.<sup>®</sup>

## Replacement Parts

No.	Part No.	Description	Part No. Includes
1	R152047	Manometer - Pressure Gauge (bottom connection)	1
2	R98209803	Air Relief Manual Valve Assembly	1
3	170024	Lid	1
4	R178616	Spring	1
5	R178576	Adaptor Short	1
6	R170014	Top Manifold	1
7	R170029	Air Bleeder - Tube Assembly	1
8	H-17-8654	Cartridge	1
9	195972E	Pipe 1" SCH40	1
10	170059	Bottom Manifold	1
11	53008602	Clamp	1
12	R39010200	O-Ring	1
13	H-19-5339	Back Up Ring	1
14	196024	Inlet/Diverter Assembly	1
15	P-35-4571	O-Ring	1
16	G-17-8567	Bottom Pipe - Outlet	1
17	190089	Bottom Tank	1
18	190030	Drain Cap	1
19	191474	O-ring	1
20	178575	Bottom Bulkhead	1
21	R194801	Top Bulkhead	1
22	R86006900	O-Ring	1
23	R194997	Nut	1
24	H-19-5611	Washer	1
25	H-19-5612	Spring	1
26	H-19-5610	Washer	1
	RE261071ND	Valve 2" 6-Way	1

Rev. 08/2016